



HALSPAN



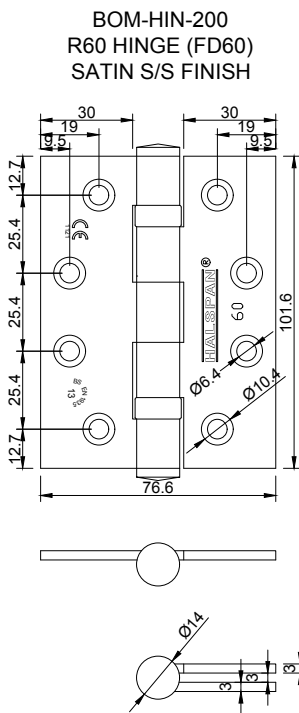
Halspan R60 Hinges

Square & Radius Corner Fire Door Hinges

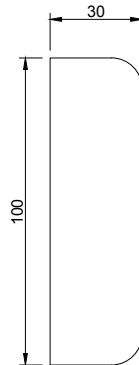
HALSPAN® 60 Square Corner Hinge

Including Intumescent Protection

Product Code: BOM-HIN-200



SLS-PAD-103
R60 HINGE (FD60)
INTUMESCENT PAD



R60 Hinge 1mm
Intumescent Pad
SLS-PAD-103
Self Adhesive
Backing to Rear
(2nr included in
BOM-HIN-201)



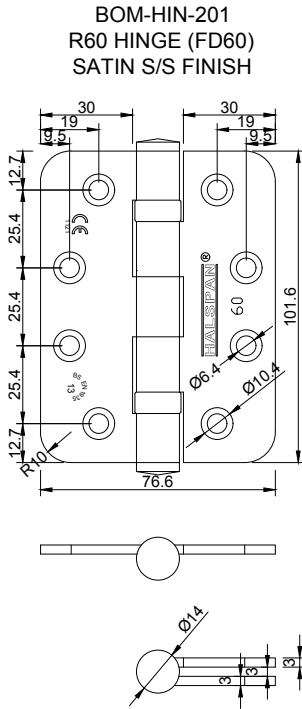
General Properties

Specification	<ul style="list-style-type: none"> • 101.6 x 76 x 3mm Triple knuckle Butt Hinge • Grade 304 Stainless Steel • Appropriate for use with backcheck door closers • Maximum adjusted door weight 120kg • Unit Weight 0.26kg • Fire tested to BS476:pt22:1987 and EN1634-1:2008 ** • BS EN1935 2002 – CE1121 • **When fitted with approved intumescent hinge pads (supplied)
Classification Number	4 7 6 1 1 4 0 13

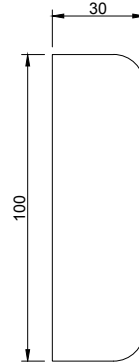
HALSPAN® 60 Radius Corner Hinge

Including Intumescent Protection

Product Code: BOM-HIN-201



SLS-PAD-103
R60 HINGE (FD60)
INTUMESCENT PAD



R60 Hinge 1mm
Intumescent Pad
SLS-PAD-103
Self Adhesive
Backing to Rear
(2nr included in
BOM-HIN-201)



General Properties

Specification	<ul style="list-style-type: none"> • 101.6 x 76 x 3mm Triple knuckle Butt Hinge • Grade 304 Stainless Steel • Appropriate for use with backcheck door closers • Maximum adjusted door weight 120kg • Unit Weight 0.26kg • Fire tested to BS476:pt22:1987 and EN1634-1:2008 ** • BS EN1935 2002 – CE1121 • **When fitted with approved intumescent hinge pads (supplied) 								
Classification Number	<table border="1"> <tr> <td>4</td> <td>7</td> <td>6</td> <td>1</td> <td>1</td> <td>4</td> <td>0</td> <td>13</td> </tr> </table>	4	7	6	1	1	4	0	13
4	7	6	1	1	4	0	13		