



HALSPAN

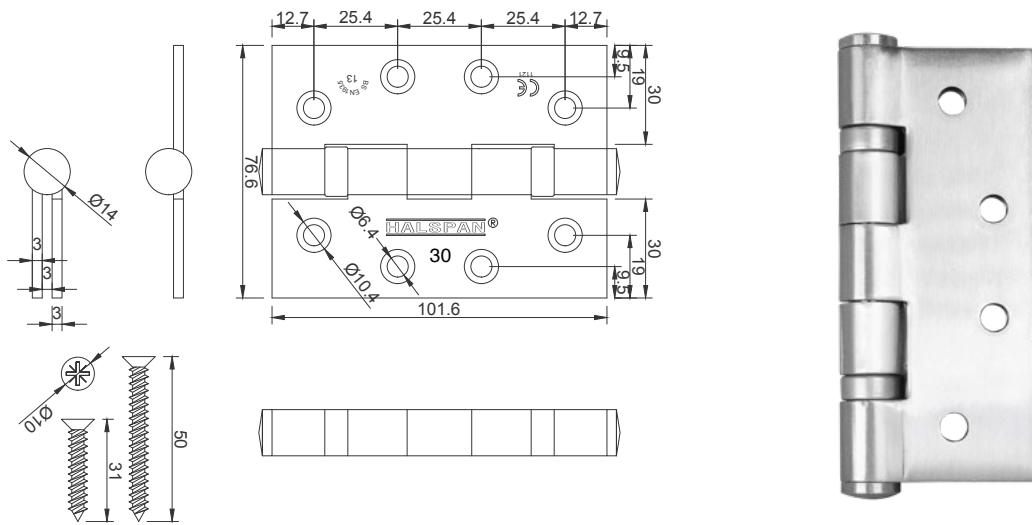


Halspan R30 Hinges

Square & Radius Corner Fire Door Hinges

HALSPAN® 30 Square Corner Hinge

Product Code: HIN-BSS-103



General Properties

Specification	<ul style="list-style-type: none"> • 101.6 x 76 x 3mm Ball Bearing Hinge • Grade 13 Satin Stainless Steel • Appropriate for use with backcheck door closers • Maximum adjusted door weight 120kg • Unit Weight 0.26kg • Fire tested to BS476:pt22:1987 and EN1634-1:2008 • BS EN1935 2002 – CE1121 							
	Classification Number	4	7	6	1	1	4	0

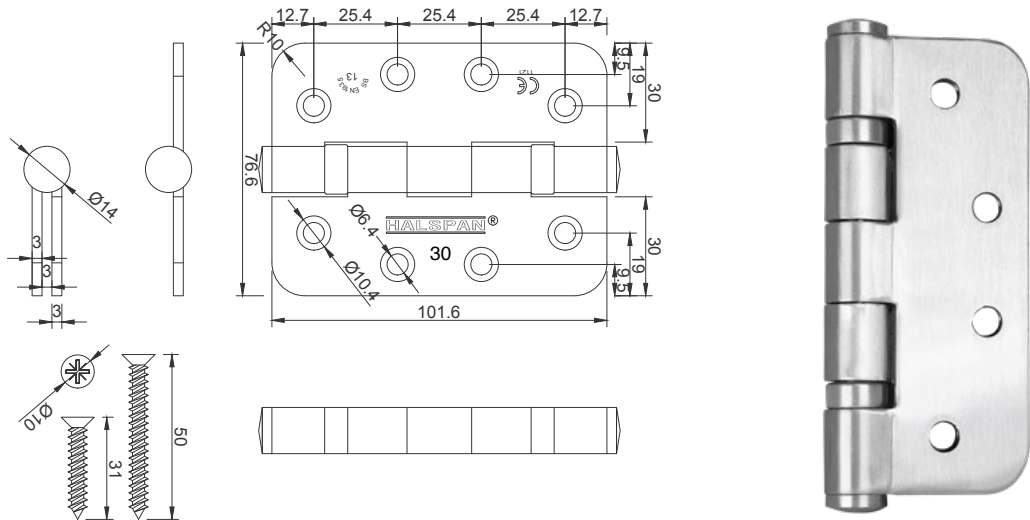
Halspan R30 Hinges

Square & Radius Corner Fire Door Hinges



HALSPAN® 30 Radius Corner Hinge

Product Code: HIN-BSS-104



General Properties

Specification	<ul style="list-style-type: none"> • 101.6 x 76 x 3mm Ball Bearing Hinge • Grade 13 Satin Stainless Steel • Appropriate for use with backcheck door closers • Maximum adjusted door weight 120kg • Unit Weight 0.26kg • Fire tested to BS476:pt22:1987 and EN1634-1:2008 • BS EN1935 2002 – CE1121
Classification Number	<div style="display: flex; justify-content: space-around; align-items: center;"> 4 7 6 1 1 4 0 13 </div>