



HALSPAN



Halspan Triple Fin and Trident Seals

High Performance Smoke & Acoustic Seals

Triple Fin seals have been designed as an upgrade to existing fire resistant doors, this perimeter seal can provide additional protection against cold smoke. It is retro fit with strong high tack double sided self adhesive strip. It consists of a semi-rigid base with three flexible blades of optimum angles, these flexible blades act like triple glazing to give maximum acoustic performance along with smoke seal capabilities.

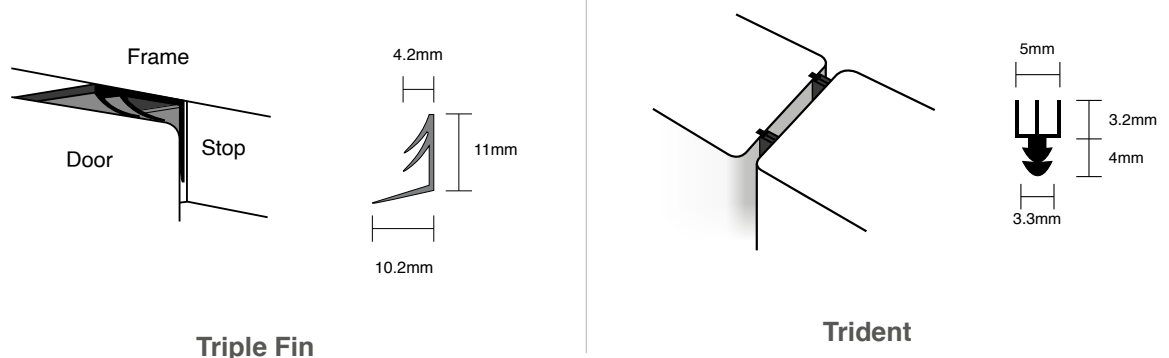
Trident seals were designed as an upgrade to preassembled fire resistant doors, this perimeter seal can be fitted in a single or double row to provide acoustic and additional protection against cold smoke. Trident Seal friction fits into a 3mm wide saw cut. It consists of a semi-rigid base with 3 flexible blades, these flexible blades act like triple glazing giving maximum acoustic performance along with smoke seal capabilities.



Product Codes & Specification*

Product Code	Triple Fin	SLS-TRI
	Trident	SLS-TRI
Min/Max Gap Size	3mm – 4mm	
Seal Material	Co-Extruded semi rigid back with flexible blades	
Fixing	Supplied with self-adhesive on the base side only. Fitment is extremely quick and easy. Simply fit and forget.	
Key Benefits	<ul style="list-style-type: none"> • Air trapping technology to increase acoustic performance • Ultra soft smooth blades to minimise opening/closing forces (UK Building Reg Doc M) • Excellent recovery values to increase service life: 100,000 cycle tested • Smoke seal capabilities • Not effected by ironmongery 	

Design Guide



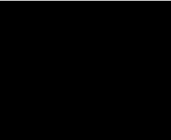


Halspan Triple Fin and Trident Seals

High Performance Smoke & Acoustic Seals



Colours

White	Brown	Black
		

General Notes

A Note on Smoke Control

(Extract Exova Global Assessment- ref. FEA/F96103)

If the doorset design is required to provide a smoke control, it must have a leakage rate not exceeding 3m³/m/hour (head and jambs only) when tested at 25Pa under BS 476 Fire tests on building materials and structures, Section 31.1 - Methods for measuring smoke penetration through doorsets and shutter assemblies, Method of measurement under ambient temperature conditions, or meet the additional classification requirement of Sa when tested to BS EN 1634-3: 2004 - Fire resistance tests for door and shutter assemblies, Part 3 – Smoke control doors.

Smoke seals or combined intumescent/smoke seals that are fitted to the door to achieve the performance requirements specified above, must have been tested in accordance with the associated test method.

Further Considerations

Note that there is other guidance available, including BS 9999-2017 - Code of practice for fire safety in the design, management and use of buildings, which may impose different or additional requirements, such as consideration of the gap between door leaf and threshold.

Responsibility for the appropriate smoke sealing specification and performance of the doors should be agreed between the relevant parties (i.e. specifier, manufacturer, contractor) prior to commencing manufacture and/or installation. Additional guidance on smoke sealing is given in BS 8214: 2008, "Code of practice for fire door assemblies" and BS 9999: 2017 "Code of practice for fire safety in the design, management and use of buildings" both of which advise that for effective ambient smoke sealing the threshold gap should either be controlled to a maximum of 3mm or a suitably fire performance tested threshold drop down seal fitted- Halspan drop seal: SLS-DRP.

Seals should be uninterrupted around ironmongery to maintain optimum smoke integrity.

Supporting Test Data

Triple Fin smoke test data: WF188636 & WYC406080-01

Trident smoke test data: WYC406080-05

