



Halspan R60 Hinges

Square & Radius Corner Fire Door Hinges

The Halspan R60 Hinges provide strength and durability to compliment Halspan's full range of FD60 door cores. Fully certified and backed by our extensive fire test evidence, Halspan R60 hinges have also undergone rigorous durability testing, showing little sign of wear after passing a 200,000 cycle test.



Fire

Tested in Accordance with:	BS476:pt22:1987 and EN1634-1:2008** **When fitted with approved intumescent hinge pads (supplied)
-----------------------------------	------------------------------------------------------------------------------------------------------



Product Codes & Specification

Product Code

HALSPAN® 60 Radiused Corner Hinge:	BOM-HIN-201
HALSPAN® 60 Square Corner Hinge:	BOM-HIN-200
Intumescent Pad:	SLS-PAD-103

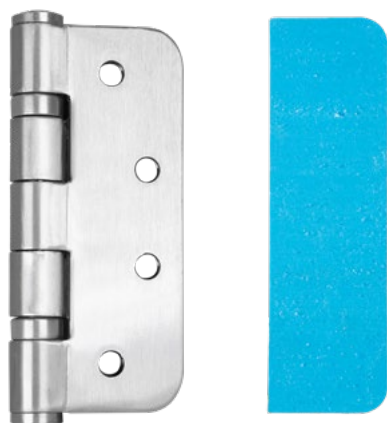
Specification

- 101.6 x 76 x 3mm Triple knuckle Butt Hinge
- Grade 304 Stainless Steel
- Appropriate for use with backcheck door closers
- Maximum adjusted door weight 120kg
- Unit Weight 0.26kg
- BS EN1935 2002 – CE1121

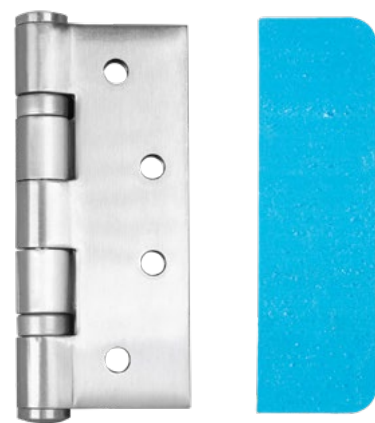
Classification Number*	4	7	6	1	1	4	0	13
-------------------------------	---	---	---	---	---	---	---	----

*For Classification details refer to guidance notes available to download at www.halspan.com, under Hardware.

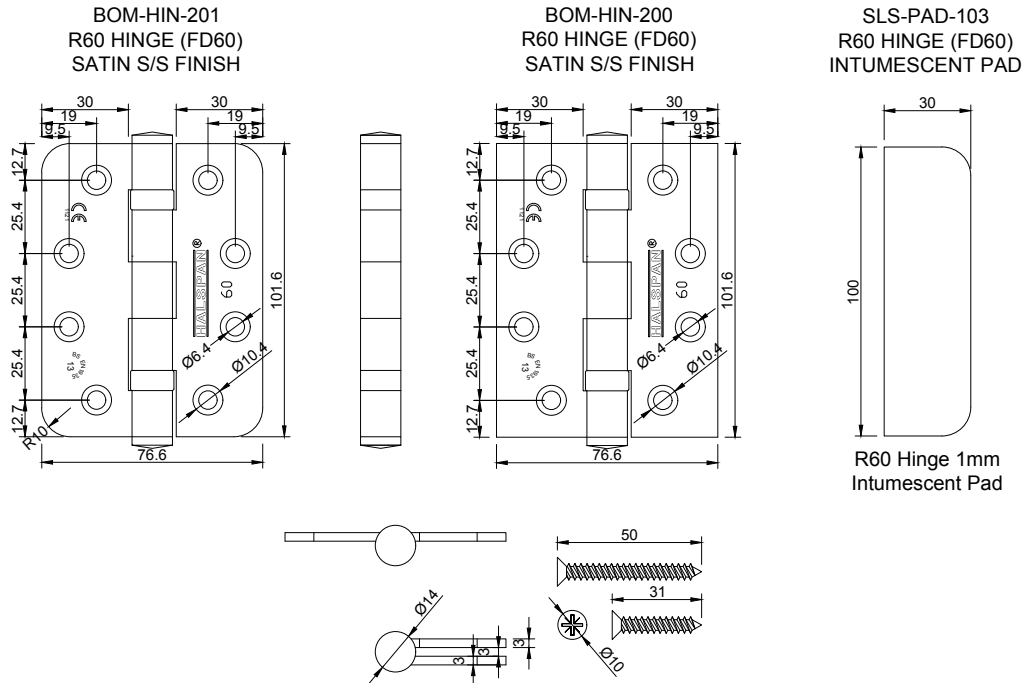
**Radiused Hinge BOM-HIN-201
& Intumescent Pad SLS-PAD-103**



**Square Hinge BOM-HIN-200
& Intumescent Pad SLS-PAD-103**



Design Guide



General Maintenance & Operational Notes

- Test data is based on a standard 3 hinges fitted to a doorset, as is the most common method of fixing. This is based upon 120kg max. weight door which is tested to 200,000 cycles in accordance with BS EN 1935:2002.
- Fitting configurations may need to be adapted based on door size, door weight and or door hardware.
- It is recommended that routine maintenance is undertaken on a bi-annual basis & in areas of extreme environment or contaminants this should be increased accordingly.
- Newly fitted hinges containing ball-bearing races packed with grease may experience a small amount of grease seepage following installation, as excess grease is expelled from the bearing as it beds in. This grease should be wiped from the hinge knuckle using a cloth moistened with white spirit.
- It is also recommend that upon inspection hinges maybe lubricated using a fine machine "3 in 1" type oil, care must be taken not to over lubricate. Wipe of excess and ensure protection is placed on floor directly under hinges to prevent any overspill to floor surface. It is recommended to lubricate approx every 25,000 cycles.
- All external & exposed surfaces require regular / weekly cleaning with a soft cloth, using warm water and mild detergent to remove built up dirt.
- For persistent stains & marks use a soft cloth, sponge or brush with a small amount household, detergent free mild abrasive.
- Surface oxidation can appear as a result of contaminants, its is recommended to clean with a cloth and warm water, before cleaning with stainless steel cleaner.
- After each and every clean, wipe down products with a separate clean dry cloth.
- The use of steel wool & steel brushes can leave particles in surfaces leading to rust, these should be avoided.
- It is recommended that routine cleaning is undertaken on a monthly basis & in areas of extreme environment or contaminants this should be increased accordingly.
- As a prerequisite of compliance it is recommended to keep a log of the adopted maintenance schedule for each installation.